

[CLICK HERE TO CONTINUE](#)



SUNDAY MISSAL SERVICE

[CLICK HERE TO CONTINUE](#)

[Home](#)

[About](#)

[Contact](#)

[Publications](#)



Are you still paying for missals and hymnals??

Exciting New opportunities, Exists in our Sales Department.

THE INSTRUCTION FOR PRESIDERS, LECTORS AND COMMENTATORS IS AVAILABLE FOR ONLINE

[Instruction for Lectors and Commentators Online Login](#)

SUPERIOR PARTICIPATION MATERIALS SINCE 1961

About

Contact

Publications

Major Changes in Pray Together:

New Perfect bound Pray together Now Available.



Beginning in 2008 you will notice

major changes in our

"Pray Together" missal.

A. We will be adding a 32 page section that will allow us to include as many as 150 hymns and responsorial psalms per issue.

B. We will discontinue the use of staples to bind the "Pray Together" missal. In the near future the missal will be perfect bound.

C. Music will be added to Sunday Psalm readings.

D. The type size on the complete daily readings will be enlarged.

Mike Liesen

Director of Marketing and Parish Support

Are you still paying for missals and hymnals??

The annual cost for the average parish is well over \$4,400.00 and this doesn't include the shipping and handling.

Sunday Missal Service is at the forefront in offering parishes the most complete liturgical communication package available at **zero* cost** to the parish. **Sunday Missal Service** will supply your parish with a Four Color, 4 to 24 page bulletin, Pray Together Missal, Pray Together Instruction, Rejoice Greatly Musical Accompaniment and Hymnals and a general ORDO for the United States. **No other bulletin company ... no other publisher offers this.**

Please, do not wait--begin enjoying the savings and ease of use with this comprehensive liturgical communication package.

[Back to top](#)

Call Mike Liesen for details

For free sample packages and all other information

call 1-800-635-0622

e-mail at smsmike@sbcglobal.net

or write to: **Sunday Missal Service**

1012 Vermont St.

Quincy, IL 62301

Attn. Michael P. Liesen

***Certain conditions and requirements apply**

Exciting New opportunities, Exists in our Sales Department.

Do you relate well with the Clergy and Laity? Then you may be the right person for the position.

We are interested in individuals throughout the United States to represent our company to parishes and local businesses.

You will be Helping individual parishes develop their liturgy program, with the most complete missal on **the** market today: a pew edition hymnal, weekly bulletins professionally **set** and printed, a Lector and Commentator guide; all of this furnished live through your efforts working with the business and professional community.

Nothing is more rewarding than knowing that because of your efforts a major expense has been done away with for the parishes you work with.

Generous commissions and the ability to be your boss, make this an extraordinary opportunity for you.

Contact

Michael P. Liesen

Director of Sales and Marketing

1-800-635-0622

[Back to top](#)

To subscribe online go to the [Contact Page](#).

To view bulletins online just click the exterior or interior by the name of the church you want:

Saint Elizabeth Catholic Church:	Granite City, IL	Exterior	Interior Page
Immaculate Conception Church	Jefferson City, MO	Exterior	Interior Page
Shrine of St. Patrick:	Laurie, MO	Exterior	Interior
Immaculate Conception Community:	Louisburg, KS	Exterior	Interior
Blessed Sacrament	Quincy, IL	Exterior	Interior Page
St. Francis:	Quincy, IL	Exterior	Interior Page
St. Peter:	Quincy, IL	Exterior	Interior Page

You are visitor number **8013** to this site.

If you have any suggestions or comments regarding this site please email them to jmh@adams.net

[Home](#)

[About](#)

[Contact](#)

[Publications](#)



[Instruction for Lectors and Commentators Online Login](#)

SUPERIOR PARTICIPATION MATERIALS SINCE 1961

[Up](#)

[About](#)

[Contact](#)

[Publications](#)

For over 65 years we have been committed to providing Roman Catholic parishes with quality liturgical publications and now more than ever it is our responsibility to provide these materials at no cost* to you and your parishioners. The clear and prudent choice is obvious, we hope you will become a part of our family of parishes and join with us to "Rejoice Greatly" in our worship of GOD ALMIGHTY.

Through the combined efforts of all associated with Sunday Missal Service, we are pleased and excited to bring you our offerings. Our website contains information that we hope will be useful to you in choosing those products best suited for your parish needs.

Wishing you the best, and assuring of our desire to serve you to the best of our ability, we are

Sunday Missal Service.

[Home](#)

[About](#)




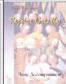


[Contact](#)

[Publications](#)



[Instruction for Lectors and Commentators Online Login](#)

SUPERIOR PARTICIPATION MATERIALS SINCE 1961

Up About Contact Publications						
	PRAY TOGETHER Missal	PRAY TOGETHER Instruction for Presiders, Lectors and Commentators	PRAY TOGETHER Weekly Bulletin	PRAY TOGETHER Rejoice Greatly Music Accompaniment	PRAY TOGETHER Rejoice Greatly Hymnal	PRAY TOGETHER 2007 Ordo
	Email: smsmike@sbcglobal.net	Phone#: 1-800-635-0622 217-222-4030 Fax 217-222-6808		Sunday Missal Service 1012 Vermont St. Quincy, IL 62301		
<p>After you fill out your Bill To and Ship To information, enter in number(s) in the quantity boxes next to the products you are interested in on the form below.</p> <p>Once you are done go to the bottom of the page and:</p> <p>Hit Calculate to see your total, Select whether you want to pay by credit card or cash, and hit submit to send the order.</p>						
<p>* REQUIRED FIELDS</p>						

B I L L T O	NAME * <input type="text"/>		
	CHURCH OR ORGANIZATION <input type="text"/>		Enter number with area code: PHONE* <input type="text"/>
	STREET* <input type="text"/>		
	CITY* <input type="text"/>	STATE* <input type="text"/>	ZIP* <input type="text"/>

Just put a check here if the Ship To: Name & Address is the same as the Bill To: Name & Address

S H I P T O	NAME <input type="text"/>		
	CHURCH OR ORGANIZATION <input type="text"/>		Enter number with area code: PHONE <input type="text"/>
	STREET <input type="text"/>		
	CITY <input type="text"/>	STATE <input type="text"/>	ZIP <input type="text"/>

Select the product you want to order and click on the name below to fill out the order form for it. Then go to the bottom of the form to send order.

Books: [Pray Together Missal](#), [Instruction For Lectors and Commentators](#), [Ordo, Rejoice Greatly Accompaniment](#)

Hymnals:

[Rejoice Greatly Hymnal](#)

SUNDAY MISSAL SERVICE	ITEM PRICE	QUANTITY	TOTAL
Pray Together REGULAR MISSAL 6 1/8" X 8 1/2"	\$25.00 PER YEAR	<input type="text"/>	<input type="text"/>
Pray Together LARGE PRINT MISSAL 8 1/2" X 11" INDIVIDUAL SUBSCRIPTION	\$25.00 PER YEAR	<input type="text"/>	<input type="text"/>

Pray Together REGULAR MISSAL 6 1/8" X 8 1/2" BULK SUBSCRIPTION 25 MIN. ORDER *	\$4.10 PER SUB PER YEAR		
Pray Together LARGE PRINT MISSAL 8 1/2" X 11" BULK SUBSCRIPTION 25 MIN. ORDER *	\$5.45 PER SUB PER YEAR		
Pray Together INSTRUCTIONS INDIVIDUAL SUBSCRIPTION ".pdf online"	\$36.00 Online		
Available Online or by Mail	\$48.00 PER YEAR		
(If online provide email to send to _____ and also provide us with a _____			
User Name: _____ Password: _____ created by you .)			
"PLEASE SELECT HOW YOU WANT YOUR INSTRUCTIONS SUBSCRIPTION"			
2009 Ordo NOT SUBJECT TO CANCELLATION *	\$14.50 EACH		
	\$3.50 SHIPPING		
Rejoice Greatly Music Accompaniment	\$35.00 EACH		
HYMNALS			
Rejoice Greatly Hymnal (Bulk order discount of 10%)	\$6.50 EACH		
	\$3.50 SHIPPING		
Church Bulletins PLEASE CALL THE OFFICE FOR A FREE QUOTE		TOTAL	
* PLUS SHIPPING AND HANDLING			
Put a checkmark by the method of payment you wish to pay by : (if your method is credit card please enter your phone number and we will get back to you as soon as possible to confirm your purchase.) We accept Master Card or Visa.			
How do you want to pay for this order ? <input type="checkbox"/> Cash <input type="checkbox"/> Credit Card - (Phone Number _____)			
Click here to Calculate Total after entering in Quantity(s) for products:			Calculate Total

After filling out the order form Click To reset the form click

[back to product selection](#)

[Home](#)

[About](#)

[Contact](#)

[Publications](#)



[Instruction for Lectors and Commentators Online Login](#)

SUPERIOR PARTICIPATION MATERIALS SINCE 1961

[Up](#)

[About](#)

[Contact](#)

[Publications](#)

Our Publications:

1. Resource of Worship

- A. [Pray Together](#) Now in Perfect Bound
- B. [Instruction for Lectors and Commentators](#)
- C [Bulletins](#)

2. Other

- A. [Ordo](#)
- B. [Rejoice Greatly Hymnal](#)
- C. [Rejoice Greatly Accompaniment Book](#)
- D. [Printing](#)

- [Regular Print and Large Print](#)

- Easy to follow
- Largest type size of any missal

Pray Together:

New Perfect Bound Pray Together



"Pray Together" Missal is the most complete missal on the market today, *containing full readings and responsorials for Sunday and Holy Day worship, as well as complete prayers and readings for weekday Masses.*

"Pray Together" is published in two convenient sizes.

Our regular print missal measures 6 1/8" x 8 1/2" inches with font size of 12 points for congregational text. Our large print **"Pray Together"** missal measures 8 1/2" x 11" with a font size of 16 points. Both our regular and large print missal is printed in mirror image format; page for

page both are identical in content. From the beginning to the end of Mass, **"Pray Together"** missal has continuity.

No flipping from front to back to front again, all content is

presented in an easy to follow lay-out.

"**Pray Together**" is published four times annually: Advent/Lent, Easter (includes Holy Week) and two in

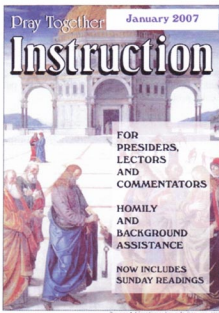
Ordinary Time. Our stock cover edition features a brilliant and captivating four color print of timeless classical

artwork. The back cover contains devotional prayers. A personalized cover is available (additional charge

applies). The complete cost of "**Pray Together**" can be underwritten by advertising.

[Click Here to Order](#)

[Back To Top](#)



Instruction for
Presiders,
Lectors and
Commentators

- Sunday Readings
- Thoughts for the liturgy

• Convenient size with easy to

read type

- Now receive online

An effective planning guide for every Sunday, Holy Day and weekday Mass.

Written by Msgr. William Carr, *Instruction for*

Lectors and Commentators is a comprehensive resource offering introductions to each part of

the Mass, background, as well as possible homily outlines for each Sunday and Feast Day,

along with thoughts for the daily Liturgy and Saints' days. Msgr. Carr generously shares his

vast knowledge and insight to better prepare a meaningful and thorough celebration for the

Mass. All rubrics are in red for ease of recognition.

**Complete Sunday readings to better prepare
presiders, lectors and commentators for their
participation in celebrating the Sunday Liturgy.**

Also includes: Music suggestions, "Prayers of the Faithful" and current tips on the liturgy.

Published monthly, *Instruction for Presiders, Lectors and Commentators* is available by

subscription only for \$48.00 annually on our printed version, or receive our online version at \$36.00 and save. Call for details, 800-635-0622.

[Click Here to Order](#)

[Back To Top](#)

Weekly Bulletins

When communicating with your parishioners is essential, when keeping everyone informed is a must, consider the

advantages of a professionally produced and printed bulletin from Sunday Missal Service.

Three convenient ways to receive your weekly bulletin:

Complete Professional Weekly bulletin service or Weekly Bulletin Shell both supplied to your parish **free of charge** with the help of your local merchants and professionals and Bulletin front cover only. All bulletins are available in BRILLIANT FOUR COLOR DESIGN to enhance your message and communications for each week. Choose a standard front cover featuring your parish information, or select Msgr. Carr's weekly outline, discussing the teachings of the Church for that particular Sunday along with your personalized information.

- Hardbound volume of all your weekly bulletins provided each year for your parish library.
- Personalized front cover with or without Msgr. Carr's weekly message. (Available in 11"x17" size only)
- \$5.50 per 100 copies per week, plus shipping and handling.
- Minimum order of 200 copies per week on one year contract.
- 2 cover changes per year allowed.
- Start dates are as follows: First Sunday of any month.
- The complete cost of your weekly bulletin and missals can be underwritten by advertising from your local community. Sunday Missal Service handles all solicitation and billing of the advertisers who support your bulletin.
- With our premium bulletin package your weekly bulletin is proofread by our professional staff and corrected.

MOST IMPORTANTLY—Always, just a toll free phone call away. Professionalism, speed, efficiency and reliability--all part of Sunday Missal Service's commitment to your parish.

[Click Here to Order](#)

[Back To Top](#)

Saint Elizabeth Catholic Church:	Granite City, IL	Exterior	Interior Page
Immaculate Conception Church	Jefferson City, MO	Exterior	Interior Page
Shrine of St. Patrick:	Laurie, MO	Exterior	Interior
Immaculate Conception Community:	Louisburg, KS	Exterior	Interior
Blessed Sacrament	Quincy, IL	Exterior	Interior
St. Francis:	Quincy, IL	Exterior	Interior Page
St. Peter:	Quincy, IL	Exterior	Interior

Ordo:

For the
Celebration
of the
Divine
Office and
the

Mass,
compiled
by Fr. Roy
Bauer and
Fr. Kevin

Laughery
based on
the works
and

Ordo

For all Dioceses of the United States of America

*For the
Celebration
of the
Divine Office
and the*

0000

compilations of Fr.

Jovian Lang. This Ordo uses the General Roman Calendar and the liturgical calendar for the United States. Designed in two colors to easily find lectionary reading numbers with a view towards practicality.

Available on November 1 at \$14.50 per copy, plus shipping and handling.

1. Highlighted liturgical instructions for local areas.
2. Indication of the correct week in the cycle for the psalter.
3. Pastoral Feasts.
4. Dedications of Cathedrals, etc., noted at the proper dates.
5. Reading numbers from the lectionary to help in daily preparation of the Mass, plus Biblical citations.
6. Explanation of current liturgical rules.
7. Newly approved American feasts inserted at the correct date. Clearly in accord with the directives from the Congregation of the Divine Worship and the Bishops' Committee on the Liturgy.

[Click Here to Order](#)

[Back To Top](#)

Rejoice Greatly **Music** **Program**

"Rejoice Greatly" is now available in convenient hymnal

edition size. The same great content, full musical

scoring and over 400 hymns in a sturdy perfect

bound book that is estimated to last 3 years.

Prepared with careful consideration, "Rejoice Greatly"

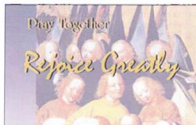
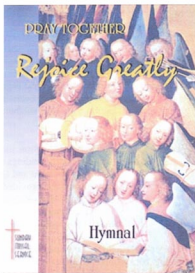
brings together the most cherished of traditional

hymns, contemporary music, Responsorial Psalms and Gospel Acclamations.

Featuring selections from GIA, OCP, and WLP, along with Artists such as Carey Landry, Bernadette Farrell, Fr. Norbert and a host of other fine publishers and composers.

Rounding out our music program, each parish

receives our Rejoice Greatly Musical accompaniment



book and our Rejoice Greatly supplement book provided free of charge in conjunction with the purchase of bulk subscription missals or hymnals.

Additional copies are available and may be purchased at \$35.00 per set. Non-subscribers may also purchase Rejoice Greatly musical accompaniment and supplement set for \$45.00 per set.

Join with us and "Rejoice Greatly" in our worship of GOD ALMIGHTY.

[Click Here to Order](#)

[Back To Top](#)

Let us help you with your Printed Projects

Sunday Missal Service, a subsidiary of P.A.M. Printers and Publishers, is a full service print house. From conception to finished product we can make your Parish project look great.

- Newsletters
- Commemorative Books
- Parish Directories (Hard and Soft Bound)
- Small Booklets
- Letterheads

- Envelopes
- Business Cards
- Raffle Tickets
- Forms
- Elegant one to full color printing
- Full Bindery and Mailing Services
- Large to Short Run Printing
- Custom made Mass Book

(Weddings, Funerals, and other Liturgical Celebrations)

- Full Design and Composition Services

For Samples of Job Work Just Call!

1-800-635-0622

[Back To Top](#)

[Home](#)

[About](#)

[Contact](#)

[Publications](#)

Enter User Name and Password	
	Please type your user name and password.
Site	sundaymissalservice.com
User Name	<input type="text"/>
Password	<input type="password"/>
	Forgot User Name or Password?
	<input type="button" value="LOGON"/>
	How to create an online account

Password-Protected Page

You are logged on as: **smissal2**

Instruction for Lectors and Commentators:

[July.pdf](#)

[August.pdf](#)

[September.pdf](#)

(Click on the .pdf link to open or right click with Mouse to save to computer.)

[Back to default](#)

[Click here to Logout](#)

Home	About	Contact	Publications
----------------------	-----------------------	-------------------------	------------------------------

Home Page

USERNAME: smissal2

- [Password-Protected Page](#)
- [Nonsecure Page](#)

Home	About	Contact	Publications
----------------------	-----------------------	-------------------------	------------------------------

Nonsecure Page

You are logged on as: **smissal2**

[Back to default](#)

[Home](#)

[About](#)

[Contact](#)

[Publications](#)

DISTRIBUT – AIR MANUFACTURING CO., INC.

PNEUMATIC WORK STATIONS

[Home](#)[About](#)[Contact](#)[Products](#)[Charts](#)

DELIVERING AIR AROUND THE WORLD

WELCOME TO DISTRIBUT - AIR MANUFACTURING

The Distribut-Air pneu-shop system is a flexible means of distributing pneumatic power to air tools making the use of pneumatics in your shop as easy and accessible as electric. Pneu-shop eliminates long lengths of hose, reels, and drooping coils. Compressed Air is supplied at any point along an over head rail system. A rolling take-off device travels the rail and is not limited to the line lengths, recoil or the bulk and clearance of festooning.

Compact and light, the system is designed to provide dependable performance. More than just versatile, pneu-shop power enhances production.



Modifications of the system are easily accomplished by installing additional sections of rail. Standard sections are available in 5, 10, 15, and 20 foot lengths. Curved sections are special order starting at 36 inch 90 degree radius. By connecting a combination of sections together you can obtain an infinite variety of configurations to fit all applications.

Installation is quick and easy. Just a few standard tools are required. Our systems are designed for do-it-yourself installation. Easy to follow instructions will accompany your pneu-shop system. Pneu-shop is available in a ceiling mount or I-beam suspension system.

Available with a take-off wheel that delivers air supply to installations demanding a continuous source of power such as cranes, hoists and bridges. Also available in a low cost, roll and spot take-off device for hand held tools.

[Home](#)[About](#)[Contact](#)[Products](#)[Charts](#)

DISTRIBUT – AIR MANUFACTURING CO., INC.

PNEUMATIC WORK STATIONS

[Home](#)[About](#)[Contact](#)[Products](#)[Charts](#)

DELIVERING AIR AROUND THE WORLD

WELCOME TO DISTRIBUT - AIR MANUFACTURING

The Distribut-Air system is the most flexible and versatile means of distributing a continuous supply of air to pneumatic equipment. This system incorporates many outstanding features to increase the efficiency of assembly lines, materials handling systems, and other production operations. The Distribut - Air system supplies air through a manifold consisting of an aluminum extrusion with flexible neoprene insert. Air is extracted from the manifold, with portable plugs for stationary applications, or rolling take-off wheels for moving conveyor applications and materials handling operations. Distribut - Air provides safety and flexibility where pneumatic systems are used. In addition to eliminating the need for long air hoses, this system offers many operating advantages. Some of these advantages are listed here:

- CONTINUOUS AIR SUPPLY

The Distribut-Air system provides a constant supply of compressed air at any point along the entire length of the system, permitting tool operators to move from one point to another with no interruption or effect on performance of air tools.

- COMPACT- LIGHTWEIGHT

The Distribut-Air system is constructed of aluminum extrusion and castings designed to provide dependable performance and neat appearance. The aluminum construction also eliminates rust and scale which normally contaminate other compressed air distribution systems.

- INSTALLATION FLEXIBILITY

Modifications are easily accomplished by installing additional sections of the manifold with the trolley and plugs whenever desired to meet the changing requirements of production operations. The air supply for assembly tools can be revised or repolished easily at minimum cost.

- VERSATILE OPERATION

The Distribut - Air system is available with power-type trolley, tow-type trolley, or portable plugs to meet the requirements of each application. Any number of trolleys and/or portable plugs can be used simultaneously on the same section.

- EASY INSTALLATION

Installations are completed in a minimum period of time. The duct is easily installed on a wall, ceiling, or over or under assembly lines for use with pneumatic tools. The rail is suspended overhead by means of suspension clamps for use with air hoists on a bridge cranes and mono rail systems.

- MAXIMUM SAFETY

Improved safety conditions are obtained with this system. It is suitable for installation in hazardous areas as it eliminates excessive and unnecessary hose in work areas, eliminates shock hazard, and reduces damage to tools caused by dropping.

- INFINITE APPLICATION

Modular sections are supplied in straight sections of 5, 10, AND 20-foot lengths - and curved sections of 36-inch radius or larger. Provisions are made to connect any combination of sections together to obtain an infinite variety of configurations to fit all applications.

[Home](#)[About](#)[Contact](#)[Products](#)[Charts](#)

DISTRIBUT - AIR MANUFACTURING CO., INC.

PNEUMATIC WORK STATIONS

DELIVERING AIR AROUND THE WORLD.

[Home](#)

[About](#)

[Contact](#)

[Products](#)

[Charts](#)

Phone: 217-2280350

Fax: 217-228-2073
jmh@adams.net

For quotes Email:

REQUIRED FIELDS

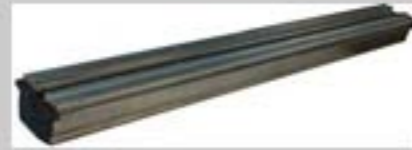
Name: Business: Address:
 Phone: City: State: Zip:

Additional information:

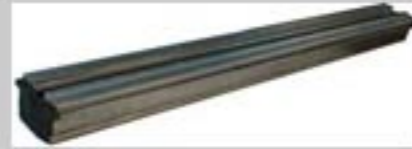
Straight Distribut-Air Manifold

Part: 66A1-5/DUCT LENGTH: 5FT/1.5M Capacity: cfm m³/min Equivalent to 1" (25.4 mm) Pipe
 Operating Pressure: 125 psi (8.75 kg/cm²) MAXIMUM 40 psi (2.81 kg/cm²) MINIMUM Weight:
 16lbs/7.3kg

PART NO	DESCRIPTION	LENGTH		CAPACITY	OPERATING WEIGHT		PRICE	QUANTITY
		FT.	M		PRESSURE	lb. kg		
66A1-5	DUCT	5	1.5	cfm m ³ /min	125 psi	16. 7.3	Quote	<input type="text"/>
66A1-					(8.75 kg/cm ²) MAXIMUM	32.		<input type="text"/>



NO	DESCRIPTION	FT.	M	PRESSURE	lb.	kg	PRICE	QUANTITY
66A1-5	DUCT	5	1.5	125 psi (8.75 kg/cm ²) MAXIMUM	16.	7.3	Quote	<input type="text"/>
66A1-10	DUCT	10	3.0	Equivalent to 1" (25.4 mm) Pipe	32.	14.5	Quote	<input type="text"/>
66A1-15	DUCT	15	4.6		64.	29.0	Quote	<input type="text"/>
66A1-20	DUCT	20	6.0		64.	29.0	Quote	<input type="text"/>
66K1-5	RAIL	5	1.5			16.	7.3	Quote
66K1-10	RAIL	10	3.0		32.	14.5	Quote	<input type="text"/>
66K1-15	RAIL	15	4.6				Quote	<input type="text"/>
66K1-20	RAIL	20	6.0		64.	29.0	Quote	<input type="text"/>
501-470	VALVE STRIP	5					Quote	<input type="text"/>
501-471	VALVE STRIP	10					Quote	<input type="text"/>
501472	VALVE STRIP	20					Quote	<input type="text"/>






Distribut-Air Take-Off Devices


PART NO	DESCRIPTION	CAPACITY		MAXIMUM SPEED		WEIGHT		PRICE	QUANTITY
		cfm	m ³ /min	ft.	m	lb.	kg		
66P1A-1	Single-Probe Plug	12	.34			25	.1	Quote	<input type="text"/>
66T1C-8T	Tow Wheel	40	1.13	500	152.4	12.0	5.4	Quote	<input type="text"/>
66TOD-7	Take Off							Quote	<input type="text"/>
620-123	Take - Off Head							Quote	<input type="text"/>
620-155	Side Plate							Quote	<input type="text"/>



Additional Distrib-Air System Components

	PART NO	DESCRIPTION	WEIGHT		PRICE	QUANTITY
			lb.	kg		
	501-482	END CAP		25	Quote	<input type="text"/>
	501489	Half Bridge	1.25	.6	Quote	<input type="text"/>
	506426	Mounting Bracket	.25	1	Quote	<input type="text"/>
	508016	Suspension Clamp	.50	2	Quote	<input type="text"/>
	508305	Full Bridge	.75	.3	Quote	<input type="text"/>
	513169	Cover Plate			Quote	<input type="text"/>

Distrib-Air Accessories

	PART NO	DESCRIPTION	WEIGHT		PRICE	QUANTITY
			lb.	kg		
	509562	Stop Bracket	1.25	.6	Quote	<input type="text"/>
	513451	30-lb. capacity Auxiliary Trolley Assembly	2.0	.9	Quote	<input type="text"/>

DISTRIBUT – AIR MANUFACTURING CO., INC.

PNEUMATIC WORK STATIONS

[Home](#)

[About](#)

[Contact](#)

[Products](#)

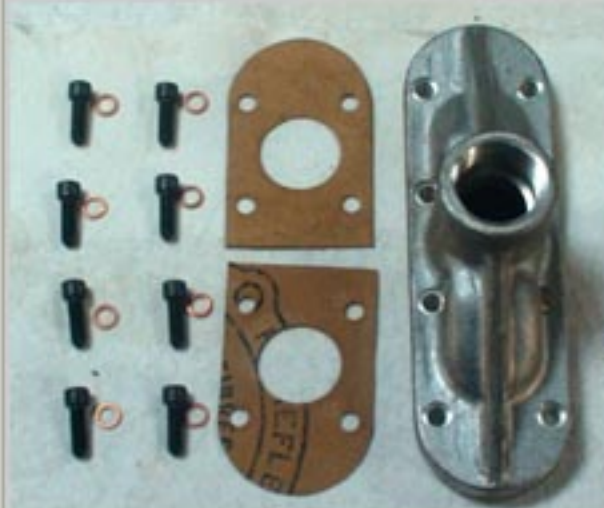
[Charts](#)

DELIVERING AIR AROUND THE WORLD



Cover Plate

May be used in place of half bridge where air inlet is not required.



Full Bridge

Used to join two rail sections, straight or curved. Serves as an air inlet connection, and distributes compressed air to both rail sections. A three way valve so that one section can be removed or repaired without shutting off air to other sections is available.



Half Bridge

Used at each end of an open run of rail. Provides another air supply inlet, or can be plugged if not needed.

Rail

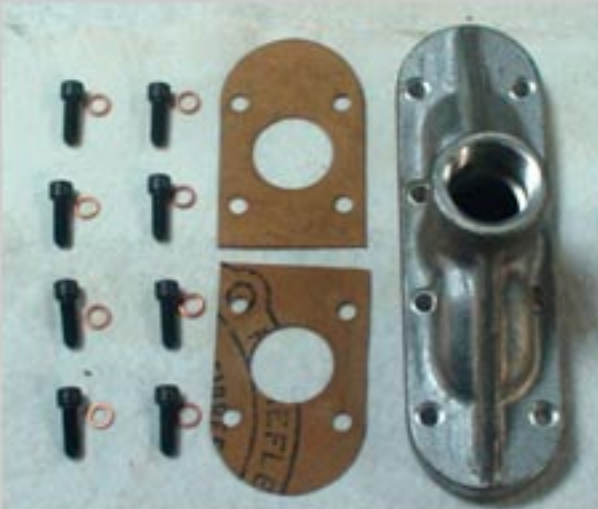
Distribut-Air rail and duct manifold sections consist of:

DELIVERING AIR AROUND THE WORLD



Cover Plate

May be used in place of half bridge where air inlet is not required.



Full Bridge

Used to join two rail sections, straight or curved. Serves as an air inlet connection, and distributes compressed air to both rail sections. A three way valve so that one section can be removed or repaired without shutting off air to other sections is available.



Half Bridge

Used at each end of an open run of rail. Provides another air supply inlet, or can be plugged if not needed.

Rail

Distribut-Air rail and duct manifold sections consist of:

1. AN ALUMINUM EXTRUSION WHICH SERVES AS A CLEAN, SCALE-FREE CONDUIT FOR THE COMPRESSED AIR.
2. A NEOPRENE INSERT WHICH ACTS AS A CONTINUOUS VALVE STRIP.
3. TWO LOCKING STRIPS OF ALUMINUM TO HOLD THE VALVE STRIP IN PLACE AND SEAL IT AIRTIGHT.
4. INTEGRAL FLANGES PROVIDE RAILS FOR THE ROLLING TAKE-OFF WHEELS AND FOR AUXILIARY TROLLEYS.
5. MOUNTING FLANGES HOLD THE CLAMPS WHICH SUSPEND RAIL OR DUCT IN POSITION

Both ends of the rail section are closed with a seal and end plate. Both ends of the duct section are fitted with a seal and end cap. Both ends of the duct section are fitted with a seal and end cap. One end cap is to be plugged, while the other provides the compressed air inlet.

Both rail and duct available in standard sections 5', 10', or 20', long. Special length sections will be furnished when required for the installation.

DISTRIBUT - AIR MANUFACTURING CO., INC.

PNEUMATIC WORK STATIONS

[Home](#)

[About](#)

[Contact](#)

[Products](#)

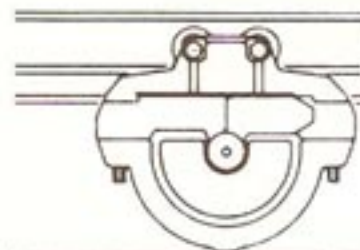
[Charts](#)

DELIVERING AIR AROUND THE WORLD

Charts

AUXILIARY TROLLEYS

- TOW WHEEL
- DUCT RAIL



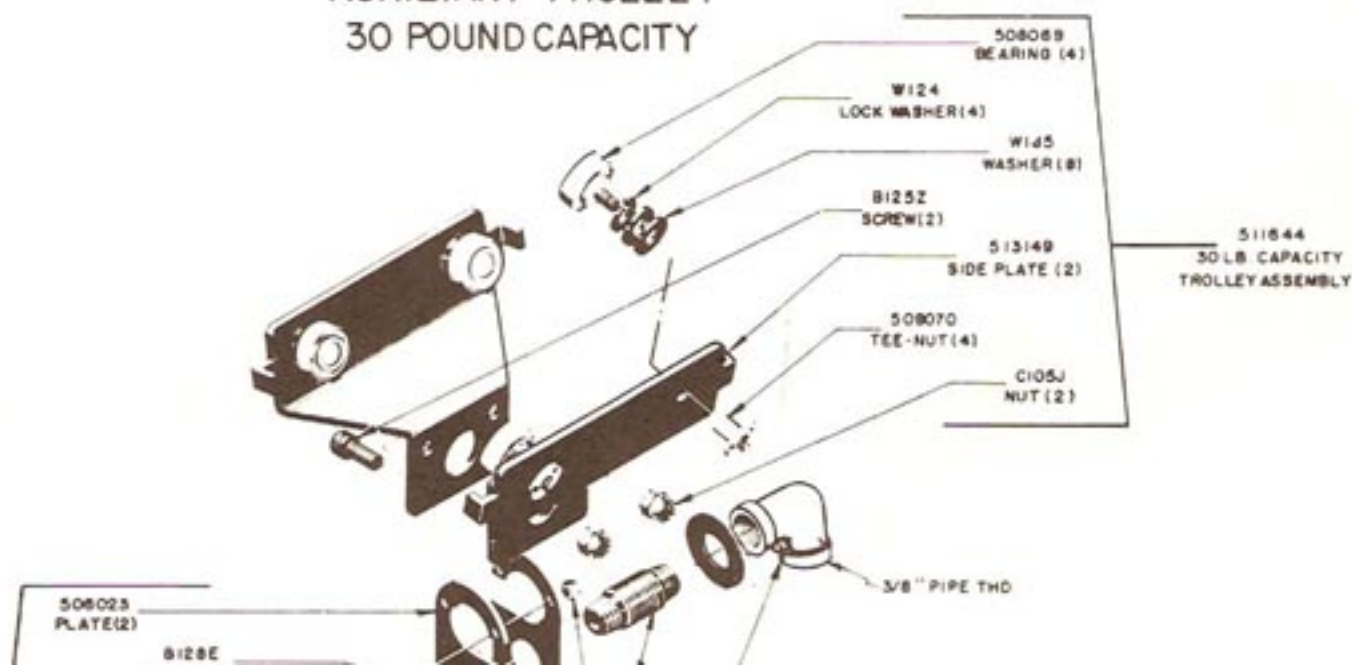
DISTRIBUT-AIR MFG. CO., INC.

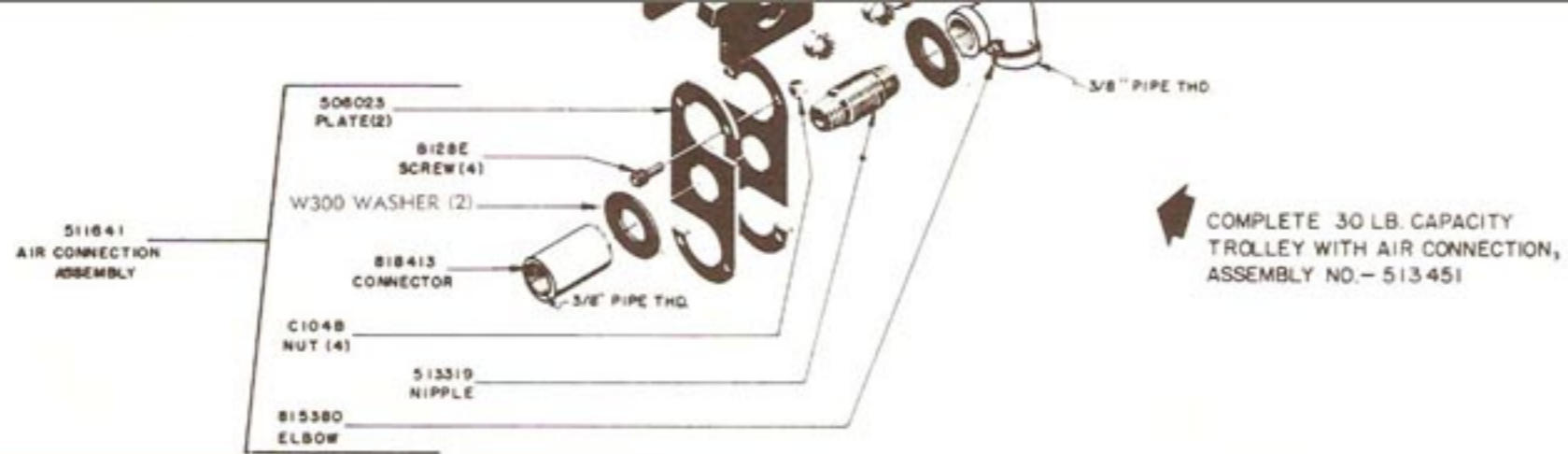
DELIVERING AIR AROUND THE WORLD

M-86

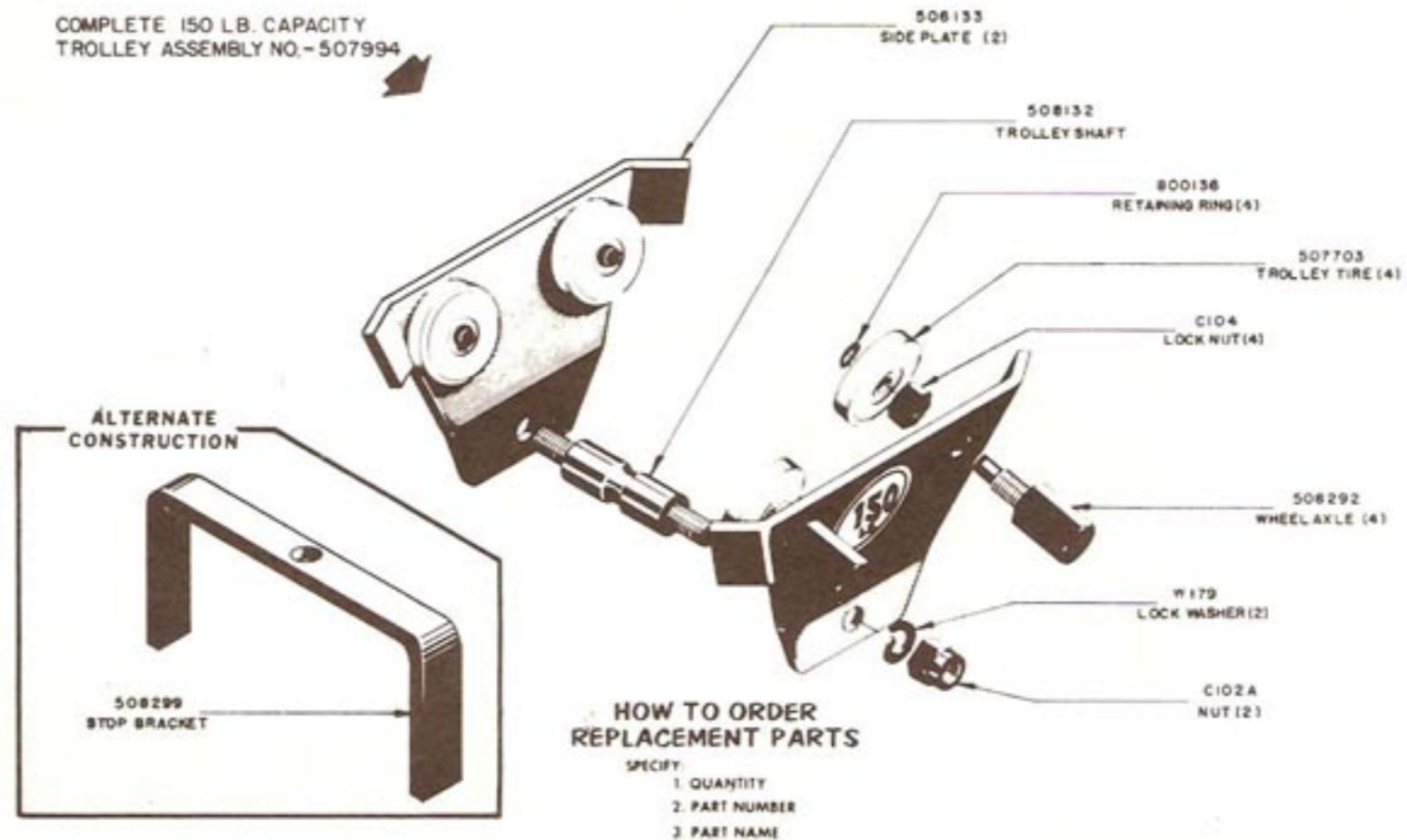
PARTS LIST—AUXILIARY TROLLEYS

AUXILIARY TROLLEY
30 POUND CAPACITY

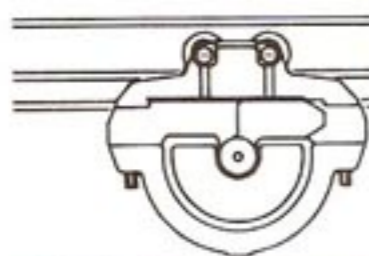




AUXILIARY TROLLEY 150 POUND CAPACITY



[Back to Top](#)



DISTRIBUT-AIR MFG. CO., INC.

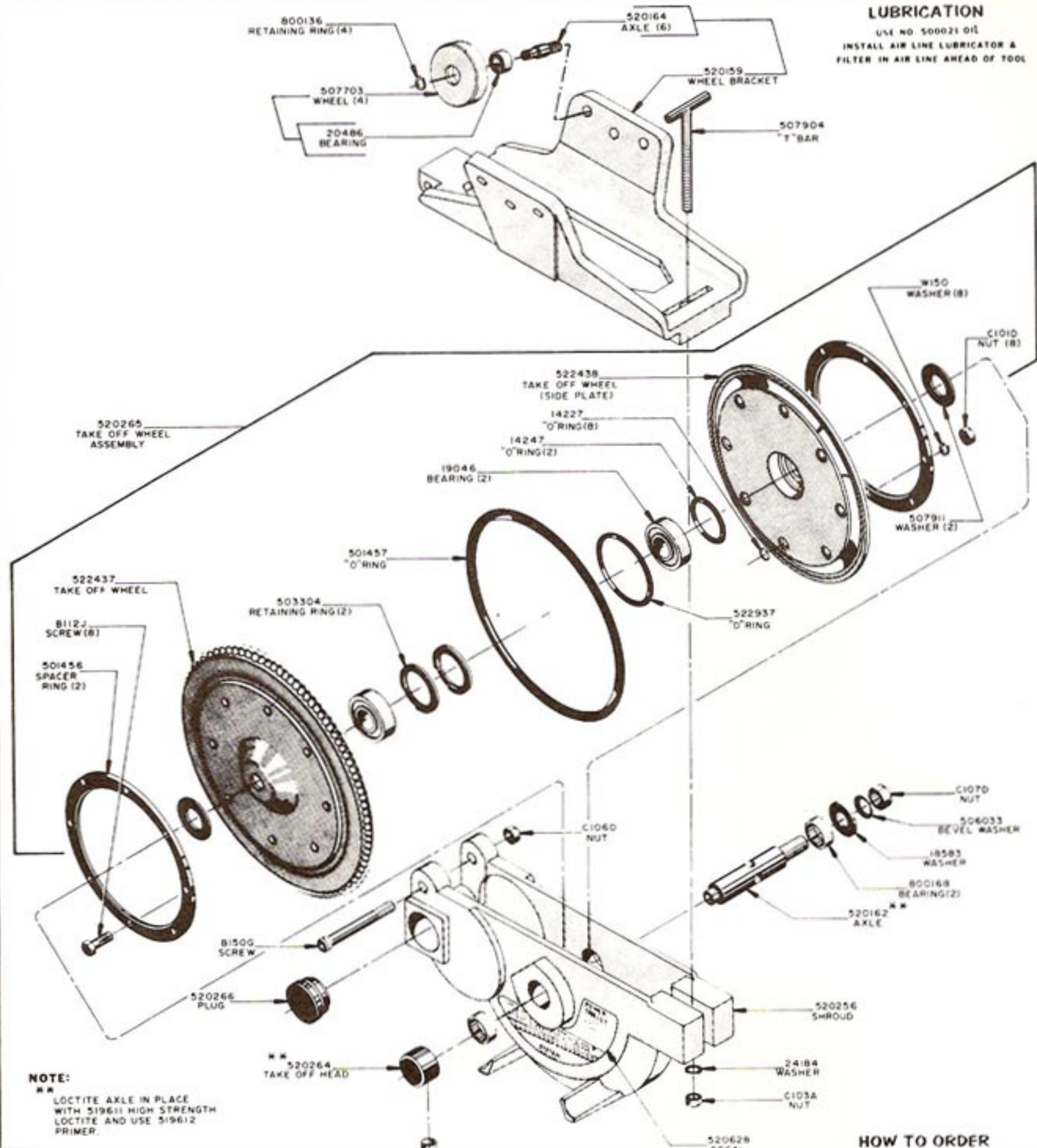
DELIVERING AIR AROUND THE WORLD

M-86

PARTS LIST - 65TIC 8T TOW WHEEL

PARTS LIST—66TIC-8T TOW WHEEL

LUBRICATION
 USE NO. 500021 OIL
 INSTALL AIR LINE LUBRICATOR &
 FILTER IN AIR LINE AHEAD OF TOOL



NOTE:
 ** LOCTITE AXLE IN PLACE WITH 519611 HIGH STRENGTH LOCTITE AND USE 519612 PRIMER.

HOW TO ORDER

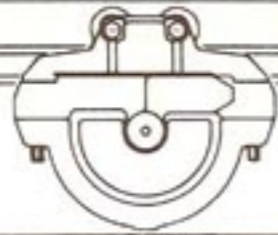
WITH 519611 HIGH STRENGTH
LOCTITE AND USE 519612
PRIMER.



**HOW TO ORDER
REPLACEMENT PARTS**

- SPECIFY
1. QUANTITY
2. PART NUMBER
3. PART NAME

[Back to Top](#)

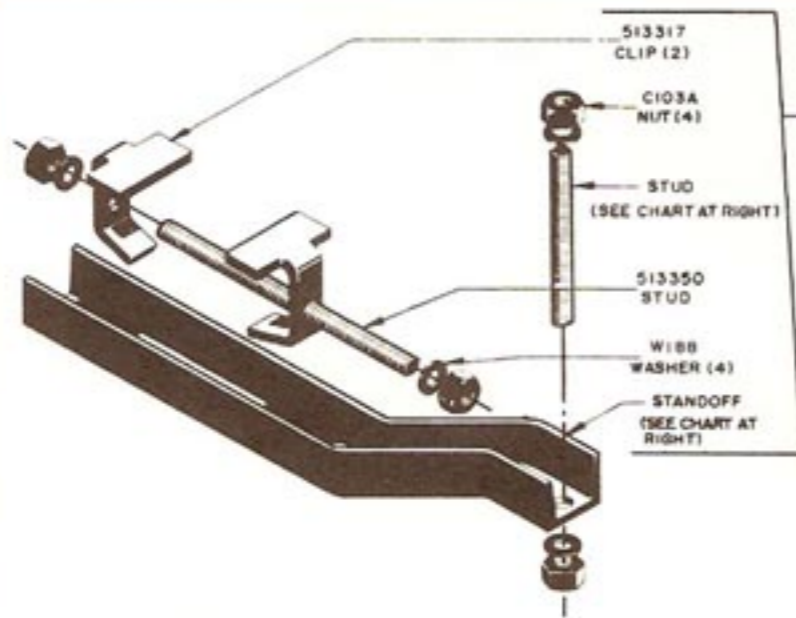


DISTRIBUT-AIR MFG. CO., INC.

DELIVERING AIR AROUND THE WORLD

M-86

PARTS LIST—RAIL ACCESSORIES

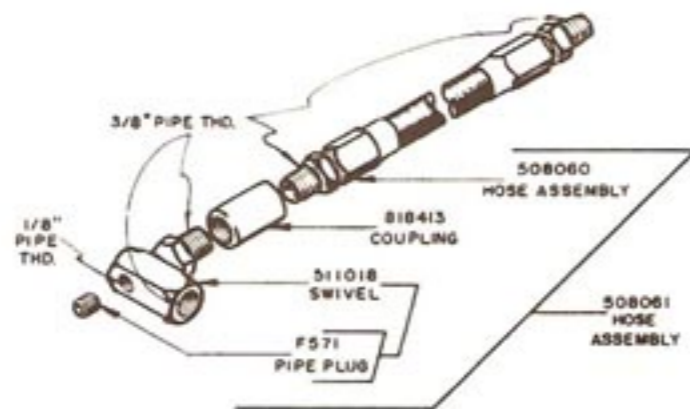
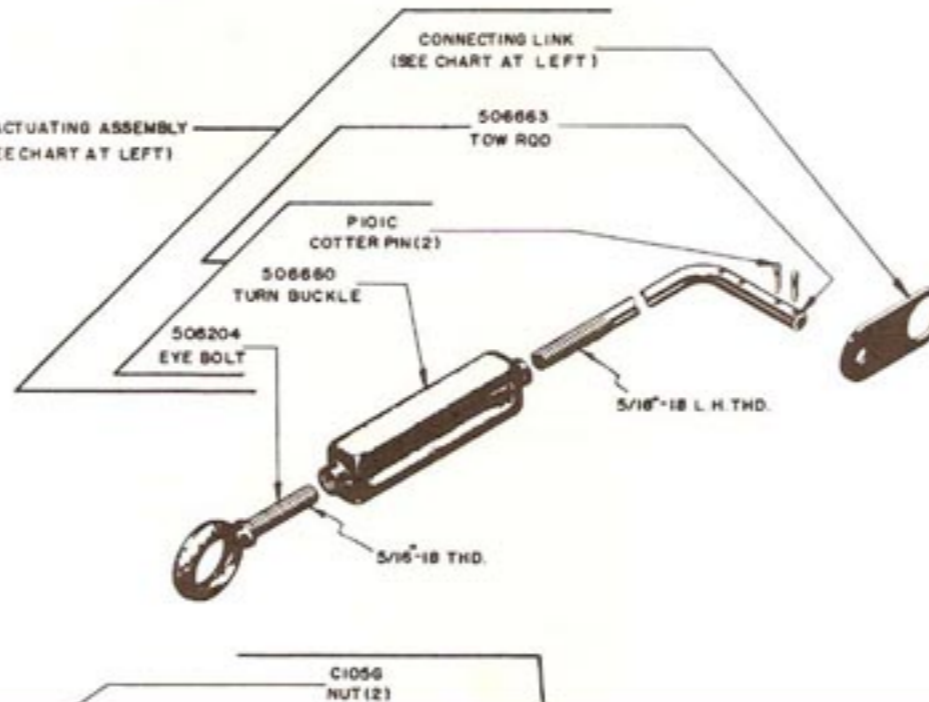


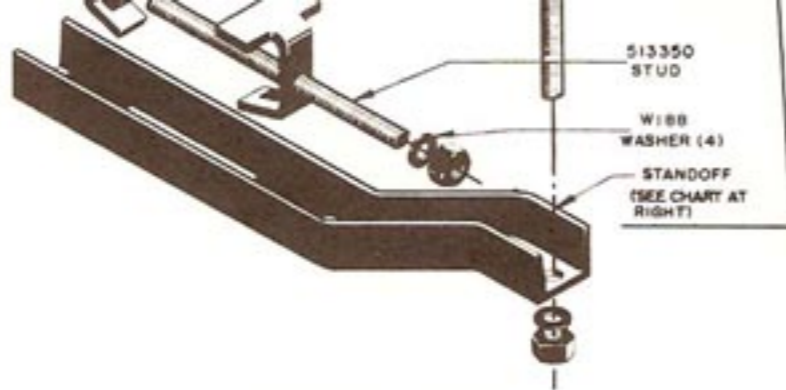
STANDOFF BRACKET ASSEMBLY
(SEE CHART BELOW)

STANDOFF ASSEMBLY FOR				
PART NAME	5", 6" & 8"	10"	5", 6" & 8"	10"
	"I"-BEAMS	"I"-BEAMS	"I"-BEAMS	"I"-BEAMS
	6" EXTENSION		12" & 15" EXTENSION	
STANDOFF BRACKET ASSEMBLY NUMBER	513339	513340	517416	517417
STUD PART NUMBER	513351	513350	513351	513350
STANDOFF PART NO.	513318	513318	517415	517415

ACTUATING ASSEMBLY FOR CONNECTING POWER TAKEOFF WHEEL TO		
PART NAME	1/2 TON HOOK SUSPENDED HOISTS	1 & 2 TON HOOK SUSPENDED HOISTS
ACTUATING ASSEMBLY NO.	513522	513523
CONNECTING LINK PART NO.	506662	506661

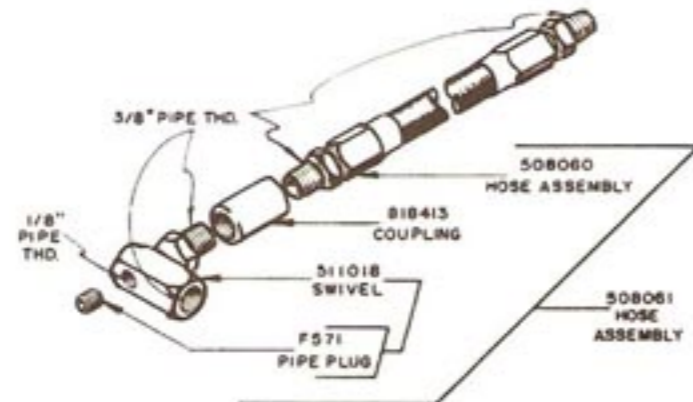
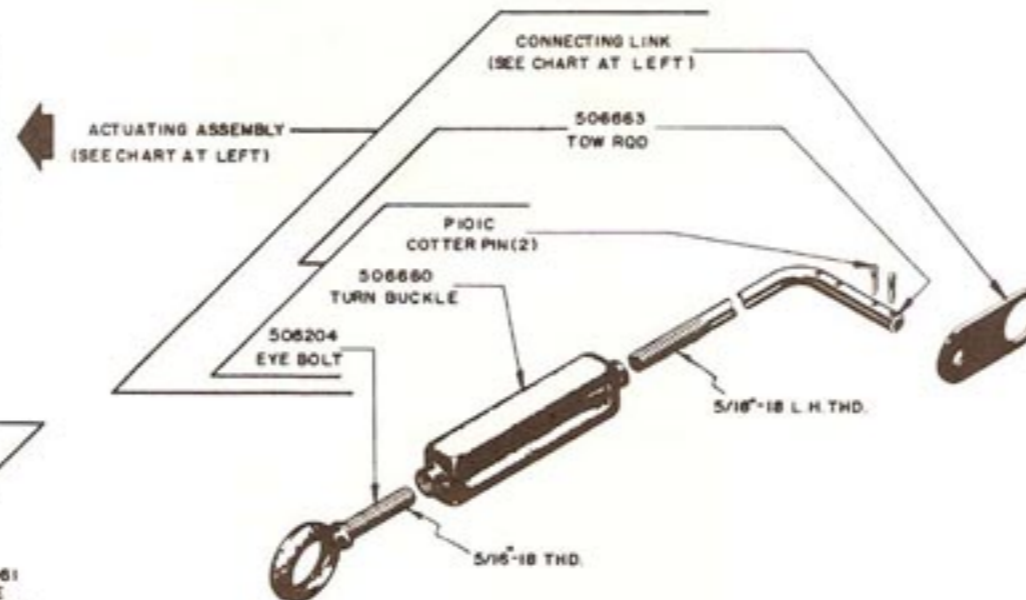
ACTUATING ASSEMBLY
(SEE CHART AT LEFT)





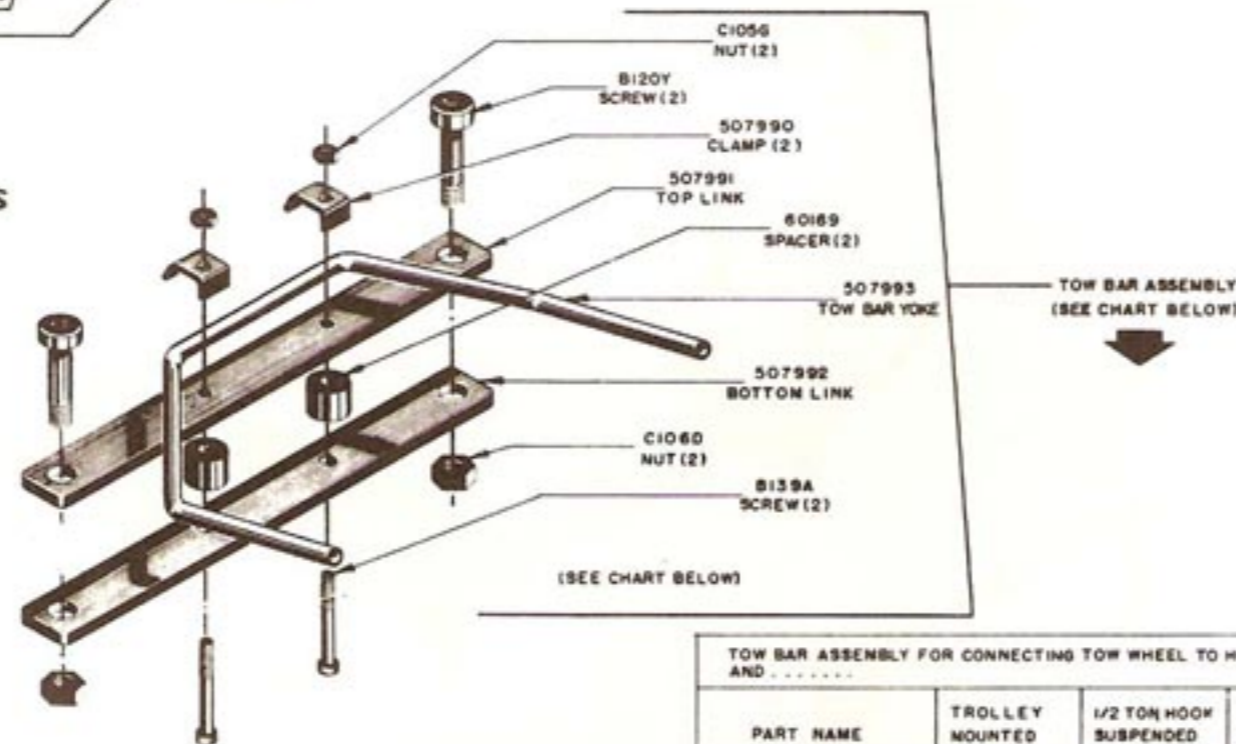
STANDOFF ASSEMBLY FOR				
PART NAME	5", 6" & 8" "I"-BEAMS	10" "I"-BEAMS	5", 6" & 8" "I"-BEAMS	10" "I"-BEAMS
	0" EXTENSION		12" & 15" EXTENSION	
STANDOFF BRACKET ASSEMBLY NUMBER	513339	513340	517416	517417
STUD PART NUMBER	513351	513350	513351	513350
STANDOFF PART NO.	513318	513318	517415	517415

ACTUATING ASSEMBLY FOR CONNECTING POWER TAKEOFF WHEEL TO		
PART NAME	1/2 TON HOOK SUSPENDED HOISTS	1 & 2 TON HOOK SUSPENDED HOISTS
ACTUATING ASSEMBLY NO.	513522	513523
CONNECTING LINK PART NO.	506662	506661



HOW TO ORDER REPLACEMENT PARTS

- SPECIFY:
1. QUANTITY
 2. PART NUMBER
 3. PART NAME



TOW BAR ASSEMBLY FOR CONNECTING TOW WHEEL TO HOISTRACOR AND			
PART NAME	TROLLEY MOUNTED HOISTS	1/2 TON HOOK SUSPENDED HOISTS	1 & 2 TON HOOK SUSPENDED HOISTS
TOW BAR ASSEMBLY NO.	507931	507932	507934
YOKE PART NO.	NOT USED	60165	60164

[Back to Top](#)